

FLOATING WALL SHELF

2 @ 31" x 10" x 1/2" MDO PLYWOOD

2 @ 22" x 10" x 1/2" MDO PW

* TOP, BOTTOM & SIDES MITERED 3 SIDES

* FRONTS MITERED 4 SIDES

2 @ 21" x 10" x 1/2" MDO PW

31" x 2" x 1/2" MDO PW

22" x 2" x 1/2" MDO PW

6 @ 10" x 2" x 1/2" PW

21" x 2" x 1/2" MDO PW

2 @ 30" x 1 1/2" x 1/2" MDO PW CLEAT

2 @ 21" x 1 1/2" x 1/2" MDO CLEAT

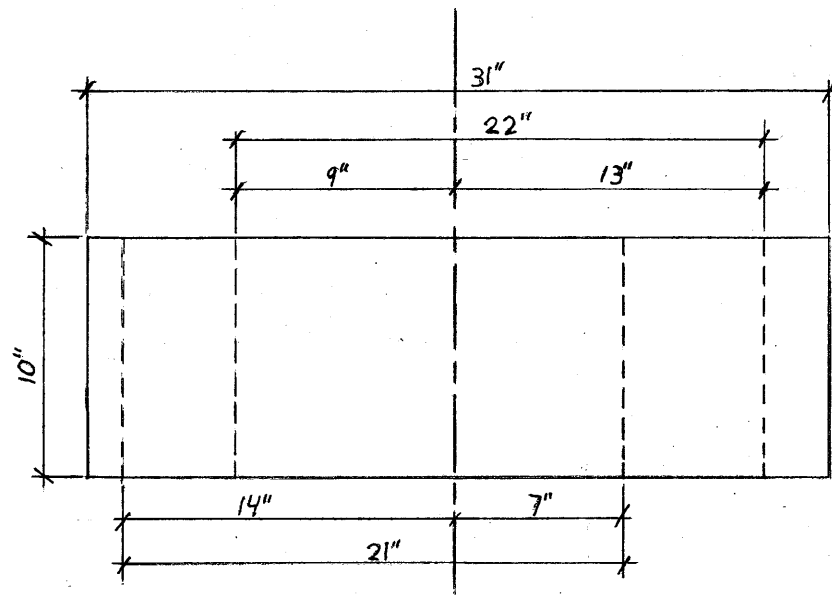
2 @ 20" x 1 1/2" x 1/2" MDO CLEAT

CUTTING LIST

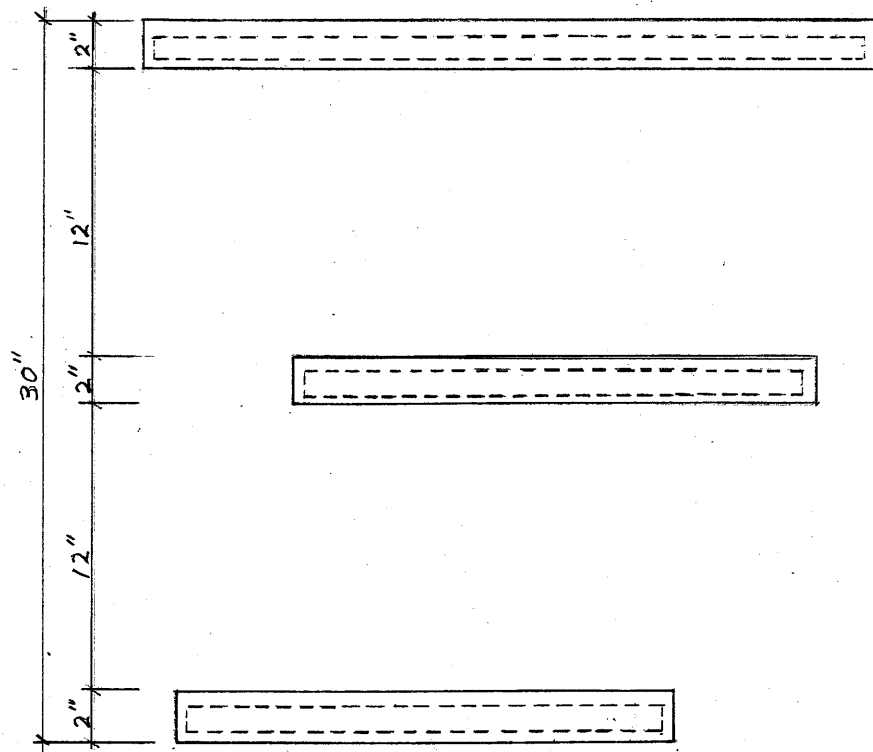
- 48" x 48" x 1/2" MDO PLYWOOD
- # 8 x 3 1/2" DECK SCREWS
- # 8 x 3/4" DECK SCREWS
- # 8 DRYWALL ANCHORS
- WOOD ADHESIVE
- # 6 BISCUITS

MATERIALS LIST

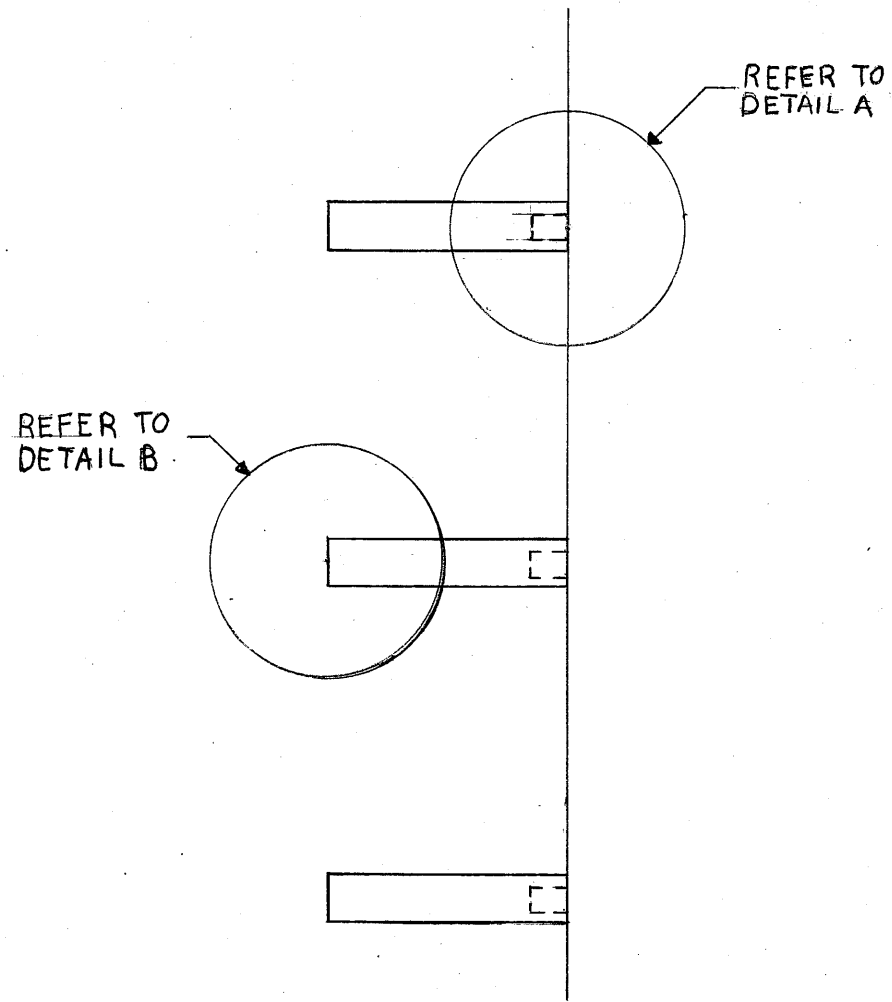
FLOATING WALL SHELF



TOP VIEW

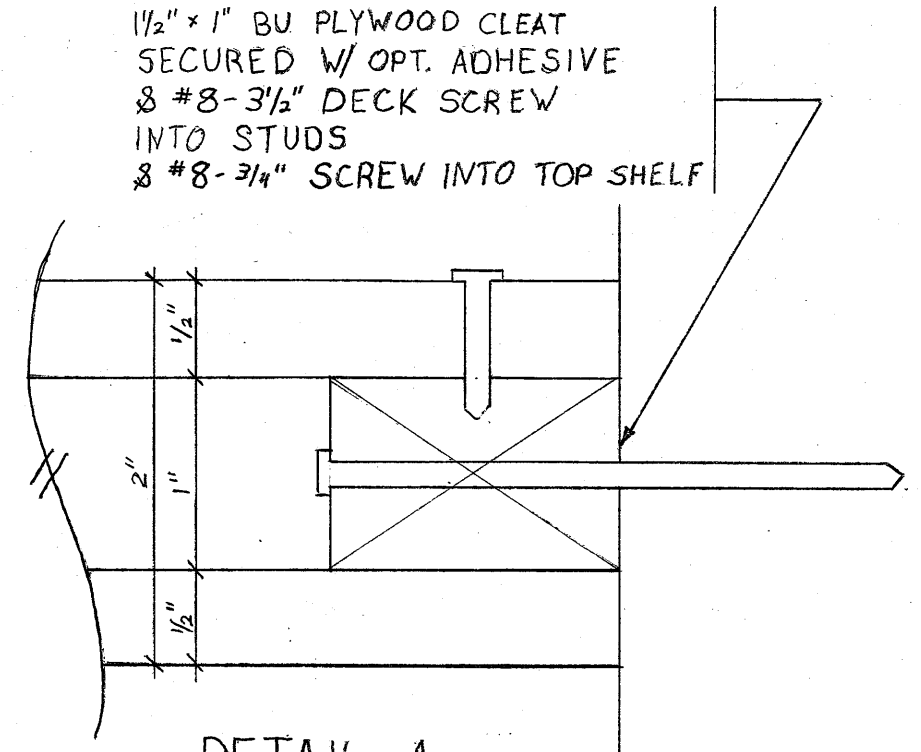


FRONT VIEW
SCALE: 1 1/2" = 1'-0"

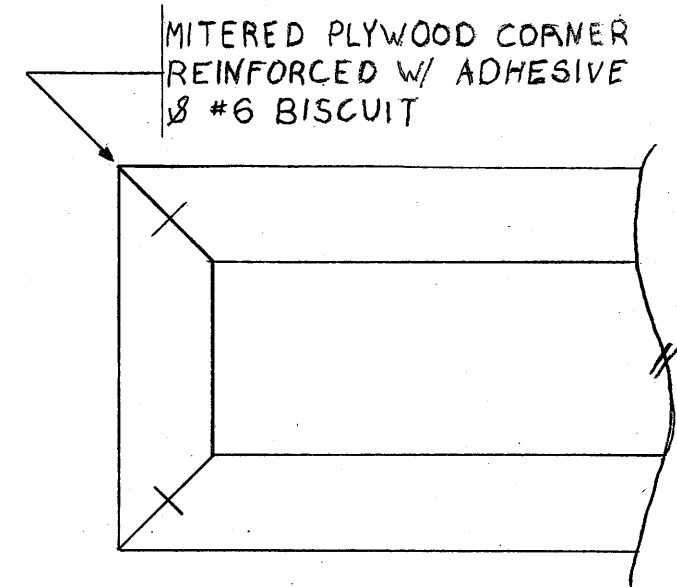


SIDE VIEW

1/2" x 1" BU PLYWOOD CLEAT
SECURED W/ OPT. ADHESIVE
& #8-3 1/2" DECK SCREW
INTO STUDS
& #8-3/4" SCREW INTO TOP SHELF



DETAIL A
SCALE: 1" = 1"



DETAIL B
SCALE: 1" = 1"